

TALEXdriver LCU 35W 12/24V IP20 EXC

EXCITE indoor IP20 series

The TALEXdriver LCU in constant voltage and with IP20 protection rating is particularly characterized by its compact design and outstanding reliability. In combination with a wide voltage input from 90 – 305 V AC and a temperature range of -25 to +60 °C, the TALEXdriver LCU is the perfect LED Driver for constant voltage applications across the globe.

**Product description**

- _ Constant voltage LED Driver
- _ Universal input voltage range
- _ Constant output voltage
- _ Push terminals for simple wiring
- _ Nominal life-time up to 50,000 h (at ta 45 °C with a failure rate $\leq 0.2\%$ per 1,000 h)
- _ 5-year guarantee
- _ Suitable for emergency escape lighting systems acc. to EN 50172
- _ Complies with CLASS C from minimum to maximum load range according to EN 61000-3-2

Properties

- _ Small design
- _ High efficiency
- _ Low power loss
- _ Overtemperature and overload protection
- _ Short-circuit shutdown feature with automatic restart
- _ Protection class II, SELV
- _ Type of protection IP20
- _ Plastic casing white

Website

<http://www.tridonic.ae/28000406>



Spotlights



Downlights



Linear



Area



Floor | Wall



Free-standing



Street



Decorative

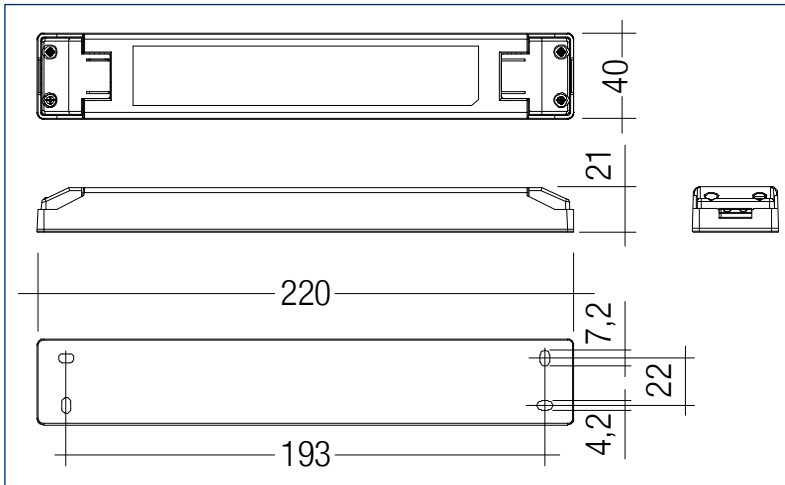


High bay

TALEXdriver LCU 35W 12/24V IP20 EXC

EXCITE indoor IP20 series

The complete data sheet for this product is available in the Downloads section.



Ordering data

Type	Article number	Packaging, carton	Packaging, pallet	Weight per pc.
LCU 35W 12V TOP SR	28000406	20 pc(s).	1,500 pc(s).	0.23 kg

Technical data

Rated supply voltage	100 – 277 V
Input voltage AC	90 – 305 V
Input voltage DC	176 – 288 V
Rated current (at 230 V, 50 Hz, full load)	0.19 A
Mains frequency	0 / 50 / 60 Hz
Efficiency (at 230 V, 50 Hz, full load)	> 85 %
λ (at 230 V, 50 Hz, full load)	0.95
Output voltage tolerance 12 V	-0 / +10 %
Output voltage tolerance 24 V	-0 / +5 %
Output power ($t_a \leq 50^\circ\text{C}$)	35 W
Output power ($t_a > 50^\circ\text{C}$)	24.5 W
Output power range	3.5 – 35 W
Turn on time (output)	≤ 0.5 s
Turn off time (output)	≤ 1 s
Hold on time at power failure (output)	10 ms
Ambient temperature t_a	-25 ... +60 °C
Ambient temperature t_a (at life-time 50,000 h) ^①	-25 ... +45 °C
Storage temperature t_s	-40 ... +85 °C
Dimensions L x W x H	220 x 40 x 21 mm
Hole spacing D	193 mm

Approval marks

IP20 SELV Class 2           RoHS

Standards

EN 55015, EN 60598-1, EN 60598-2-22, EN 61000-3-2, EN 61000-3-3, EN 61347-1, EN 61347-2-13, EN 61547, EN 62384, EN 62493

Specific technical data

Type	Max. casing temperature t_c	Output voltage	Max. input power	Output current range	Max. output voltage ^②
LCU 35W 12V TOP SR	85 °C	12 V	43 W	0.29 – 2.92 A	13.2 V

① For input voltage from 120 to 277 V AC (50 / 60 Hz) with 100 % load. For input voltage from 100 to 120 V AC (50 / 60 Hz) with 80 % load.

② At failure mode (230 V, 50 Hz).